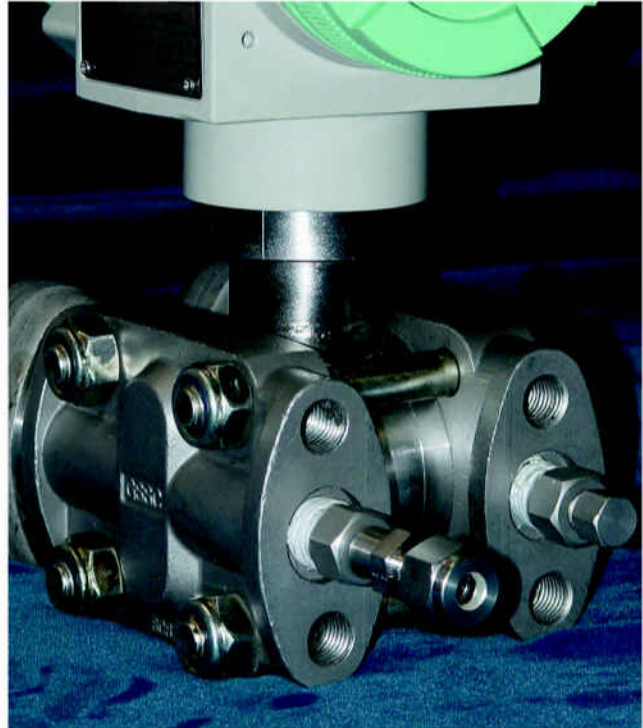
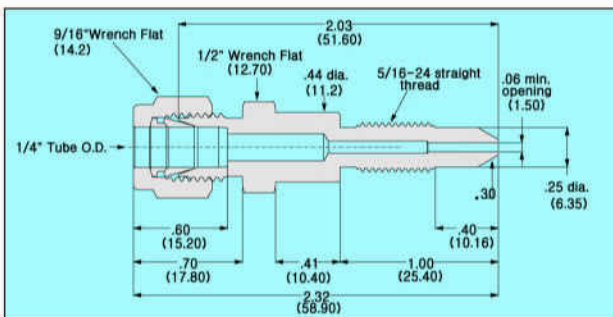
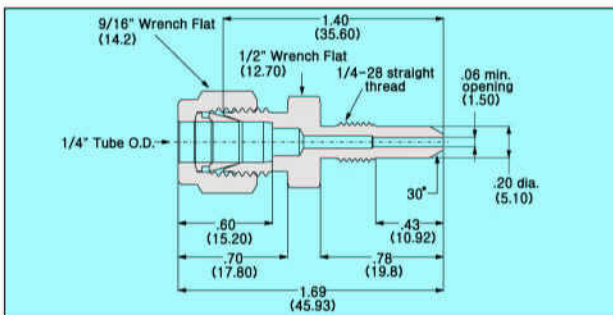


Hy-Lok[®] Calibration Fittings for DP Transmitters

- Quick Access for Transmitter Calibration
- Saves Time, Lowers Costs
- Straight Threads Eliminate Galling
- Standard Material 316 Stainless Steel



Dimensions



Dimensions are inches and (mm) - for reference only subject to change.

Part / Order Number

CCF4-1U(1/4"-28 thread)

CCF4-2U(5/16"-24 thread)



HY-LOK CORPORATION